



Curtain Tracks





Curtain Tracks

ONNA BLUE SERIES

Railset / Track	Single Bracket	Double Bracket	Combination Bracket	Unit
Decorative Track				
D1	257	465	-	/mL
D3	415	723	-	/mL
D2	561	1,038	-	/mL
D4	648	1,115	-	/mL
D7	727	-	-	/mL
D6	769	-	-	/mL
D5	782	-	-	/mL
D10	797	-	-	/mL
D9	829	-	-	/mL
D8	851	-	-	/mL
D12 (NEW)	918	-	-	/mL
D16 (NEW)	933	-	-	/mL
D17 (NEW)	943	-	-	/mL
D15 (NEW)	966	-	-	/mL
D13 (NEW)	969	-	-	/mL
D14 (NEW)	1,117	-	-	/mL
Functional Track				
F1	199	409	-	/mL
F2	346	700	-	/mL
Hospital Track				
H1	254	497	-	/mL
H2	481	-	-	/mL
Combination Track				
F1 - D1	-	-	613	/mL
F1 - D3	-	-	701	/mL
F1 - D2	-	-	871	/mL
D11 - D7	-	-	1,181	/mL
D11 - D6	-	-	1,222	/mL
D11 - D5	-	-	1,234	/mL
D11 - D10	-	-	1,251	/mL
D11 - D9	-	-	1,282	/mL
D11 - D8	-	-	1,304	/mL
D18 - D12 (NEW)	-	-	1,401	/mL
D18 - D16 (NEW)	-	-	1,415	/mL
D18 - D17 (NEW)	-	-	1,427	/mL
D18 - D15 (NEW)	-	-	1,449	/mL
D18 - D13 (NEW)	-	-	1,451	/mL
D18 - D14 (NEW)	-	-	1,599	/mL

Harga dalam ribuan rupiah

Keterangan

1. Minimum ukuran L Curtain Railset / Track dihitung 1mL
2. Standar Railset / Track adalah bracket ceiling



Curtain Tracks

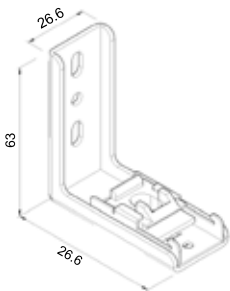
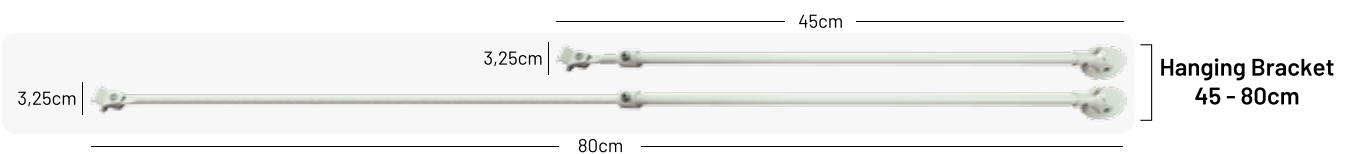
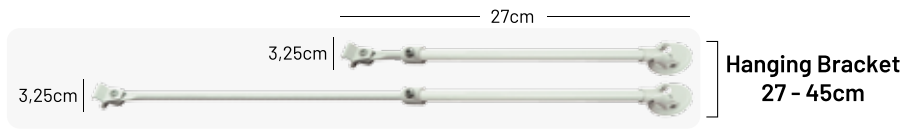
ONNA BLUE SERIES

Track Accessories Unit

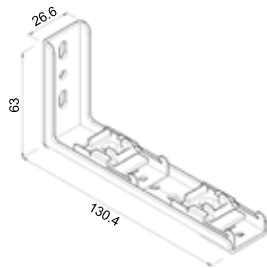
Track Accessories

Bending Tool Track H1 (NEW)	505	/piece
Hanging Bracket 27 - 45 cm	81	/piece
Hanging Bracket 45 - 80 cm	108	/piece
Single Wall Bracket F1, F2	8	/piece
Double Wall Bracket F1, F2	26	/piece
Single Wall Bracket H1	13	/piece
Double Wall Bracket H1	28	/piece
Corner Joint D11 (NEW)	43	/piece
Corner Joint D18 (NEW)	51	/piece
Corner Joint D5 - D10	77	/piece
Corner Joint D12 - D17 (NEW)	89	/piece
U Bracket H2 (NEW)	8	/piece
Double Connector H2 (NEW)	29	/piece
Curve Connector H2 (NEW)	33	/piece

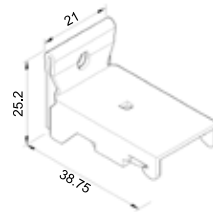
Harga dalam ribuan rupiah



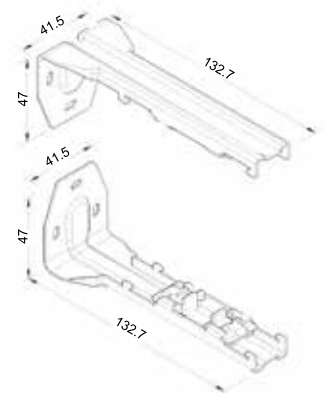
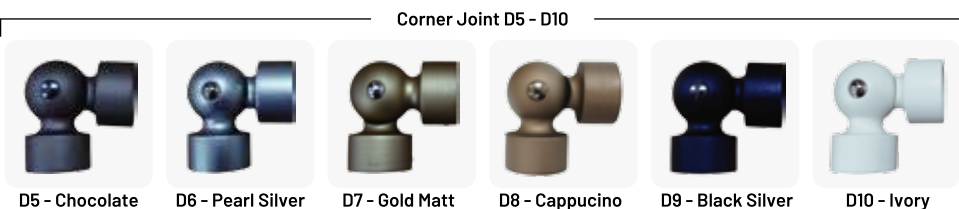
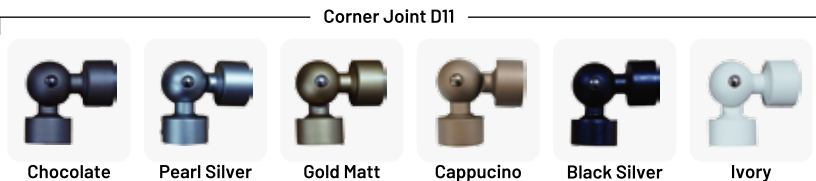
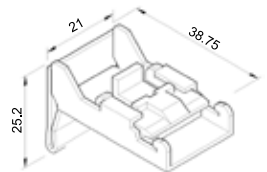
Single Wall Bracket H1 (mm)



Double Wall Bracket H1 (mm)



Single Wall Bracket F1, F2 (mm)



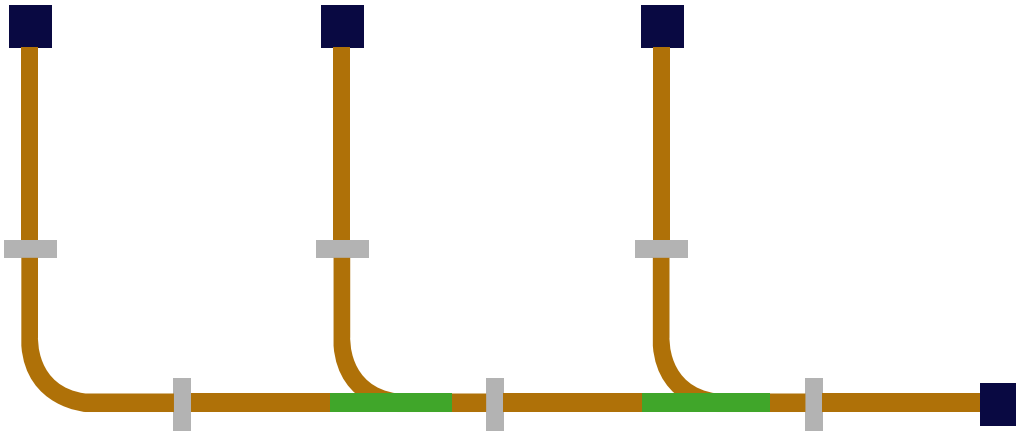
Double Wall Bracket F1, F2 (mm)



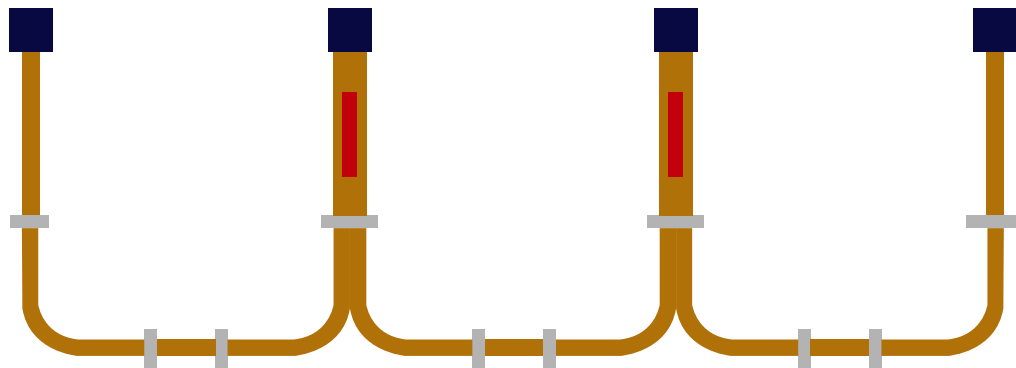
Curtain Tracks

ONNA BLUE SERIES

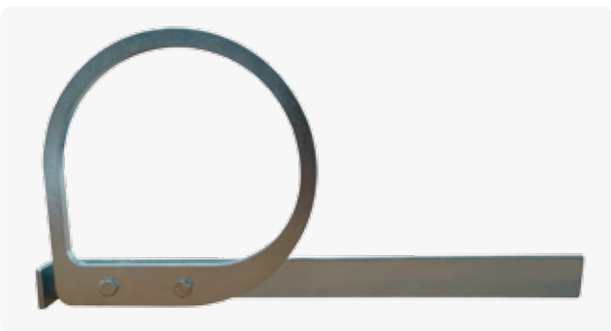
HOSPITAL TRACKS MODEL



"L" MODEL



"U" MODEL



Bending Tool Track H1



Double Connector H2



U Bracket H2



Curve Connector H2



Curtain Tracks

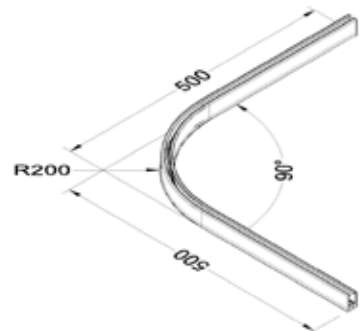
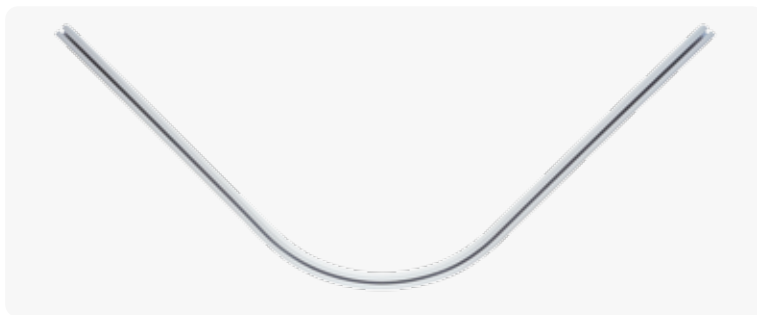
ONNA GOLD SERIES

Railset / Track	Pleat			Ripple Fold			Unit
	Non Pulling	Stick	Cord	Non Pulling	Stick	Cord	
Functional Track							
F3	329	461	539	1,069	1,230	1,308	/mL
Track Accessories							
Master Carrier w/ Overlap Arm	86	-	-	-	-	98	/set
Single Wall Bracket	28	28	28	28	28	28	/piece
Double Wall Bracket	50	50	50	50	50	50	/piece
Bending Track 90° (Sambungan)(NEW)	211	-	-	211	-	-	/piece

Harga dalam ribuan rupiah

Keterangan

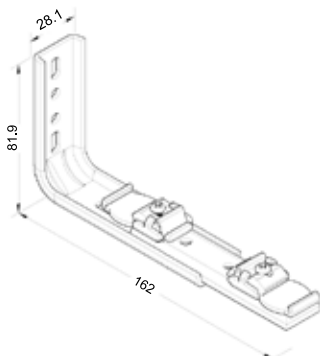
1. Minimum ukuran L Curtain Railset / Track dihitung 1mL
2. Penggunaan Master Carrier hanya untuk buka tengah (optional)
3. Untuk Bending Track 90° tanpa sambungan dikenakan biaya tambahan sebesar 30%
4. Standar Railset / Track adalah pasang ceiling



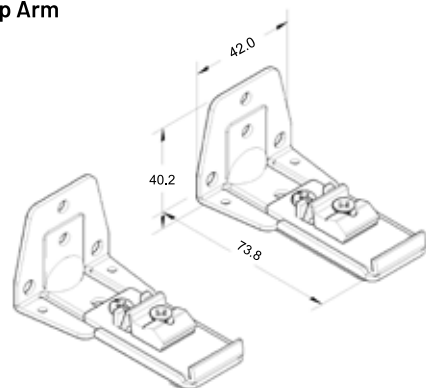
Bending Track 90° (mm)



Master Carrier w/ Overlap Arm



Double Wall Bracket F3 (mm)



Single Wall Bracket F3 (mm)



Curtain Motor somfy.

ONNA MOTORIZED SERIES

Motor	Irismo Plus 35 No Receiver **	Irismo Plus 35 DCT No Receiver ***	Irismo Plus 35 Receiver ***	Glydea Ultra 35e No Receiver **	Glydea Ultra 35e DCT No Receiver ***	Unit
Track Pleat	753	753	753	753	753	/mL
Track Ripple Fold (NEW)	1,974	1,974	1,974	1,974	1,974	/mL
Motor	5,180	5,180	6,638	6,476	6,476	/piece
Accessories						
Wall Switch 1	470	-	-	470	-	/piece
Wireless Wall Switch 1	-	-	1,191	-	-	/piece
Situo 1	-	-	1,008	-	-	/piece
Situo 2	-	-	1,492	-	-	/piece
Situo 5	-	-	1,895	-	-	/piece
Telis 6 w/ Timer	-	-	6,887	-	-	/piece
Sun Sensor	-	-	5,512	-	-	/piece
Single Wall Bracket	47	47	47	47	47	/piece
Double Wall Bracket	64	64	64	64	64	/piece
Joint Track	179	179	179	179	179	/piece
Bending Track 90° (Sambungan)	5,514	5,514	5,514	5,514	5,514	/piece

Motor	Glydea Ultra 35e Receiver ***	Glydea Ultra 60e No Receiver **	Glydea Ultra 60e DCT No Receiver ***	Glydea Ultra 60e Receiver ***	Unit
Track Pleat	753	753	753	753	/mL
Track Ripple Fold (NEW)	1,974	1,974	1,974	1,974	/mL
Motor	8,469	10,867	10,867	12,894	/piece
Accessories					
Wall Switch 1	-	470	-	-	/piece
Wireless Wall Switch 1	1,191	-	-	1,191	/piece
Situo 1	1,008	-	-	1,008	/piece
Situo 2	1,492	-	-	1,492	/piece
Situo 5	1,895	-	-	1,895	/piece
Telis 6 w/ Timer	6,887	-	-	6,887	/piece
Sun Sensor	5,512	-	-	5,512	/piece
Single Wall Bracket	47	47	47	47	/piece
Double Wall Bracket	64	64	64	64	/piece
Joint Track	179	179	179	179	/piece
Bending Track 90° (Sambungan)	5,514	5,514	5,514	5,514	/piece

Harga dalam ribuan rupiah

Keterangan

1. Minimum ukuran L Curtain Track dihitung 1mL

2. Standar Bracket adalah ceiling

** Bisa digunakan untuk home automation high voltage

*** Bisa digunakan untuk home automation low voltage



Curtain Motor AliA®

ONNA MOTORIZED SERIES

Curtain Fabrics

Motor	AM68 2/80 Receiver ***	AM95 1/100 Receiver ***	Unit
Track Pleat	493	628	/mL
Track Ripple Fold (NEW) **	1,811	-	/mL
Motor	2,873	3,392	/piece
Accessories			
Wireless Wall Switch 1	419	419	/piece
Wireless Wall Switch 2	479	479	/piece
Remote 1	364	364	/piece
Remote 2	390	390	/piece
Remote 6	415	415	/piece
Single Wall Bracket	47	47	/piece
Double Wall Bracket	64	64	/piece
Joint Track	179	179	/piece
Bending Track 90° Plastic (Sambungan)(NEW)	673	673	/piece
Bending Track 135° Plastic (Sambungan)(NEW)	673	673	/piece
Bending Track 90° (Sambungan)	5,514	-	/piece

Harga dalam ribuan rupiah

Keterangan

1. Minimum ukuran L Curtain Track dihitung 1mL
 2. Standar Bracket adalah ceiling
- ** Track Ripple Fold hanya bisa menggunakan Bending Track 90° (Sambungan)
 *** Bisa digunakan untuk home automation low voltage